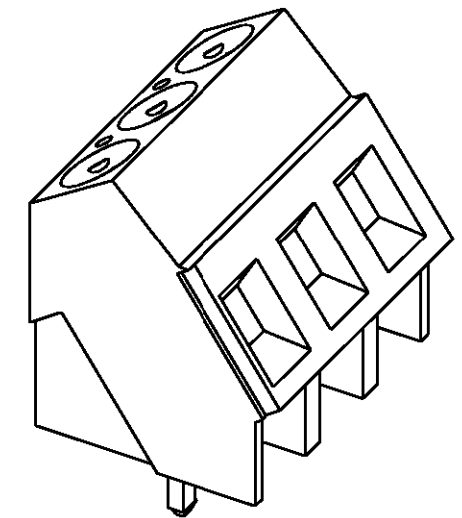
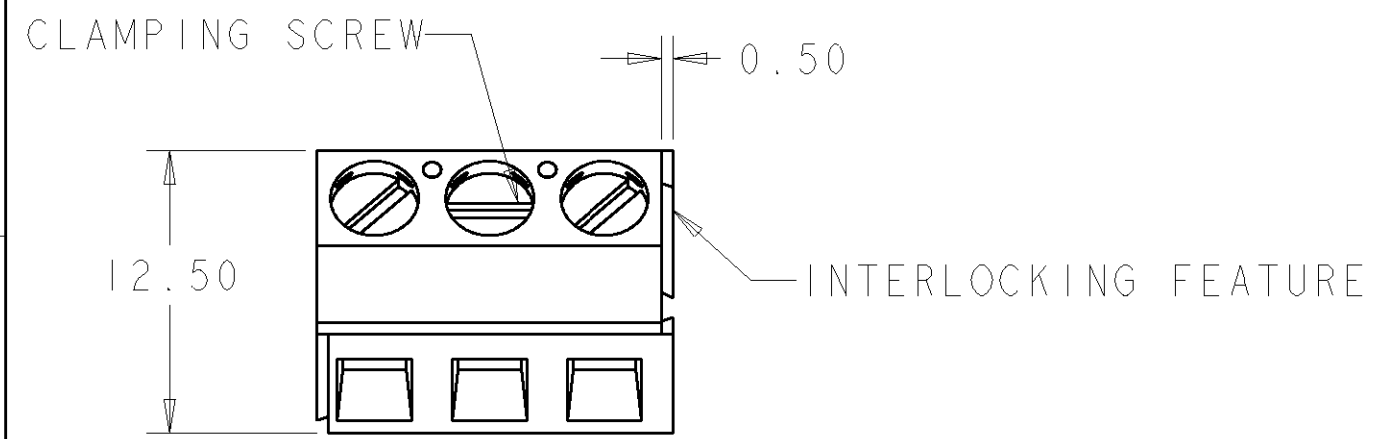
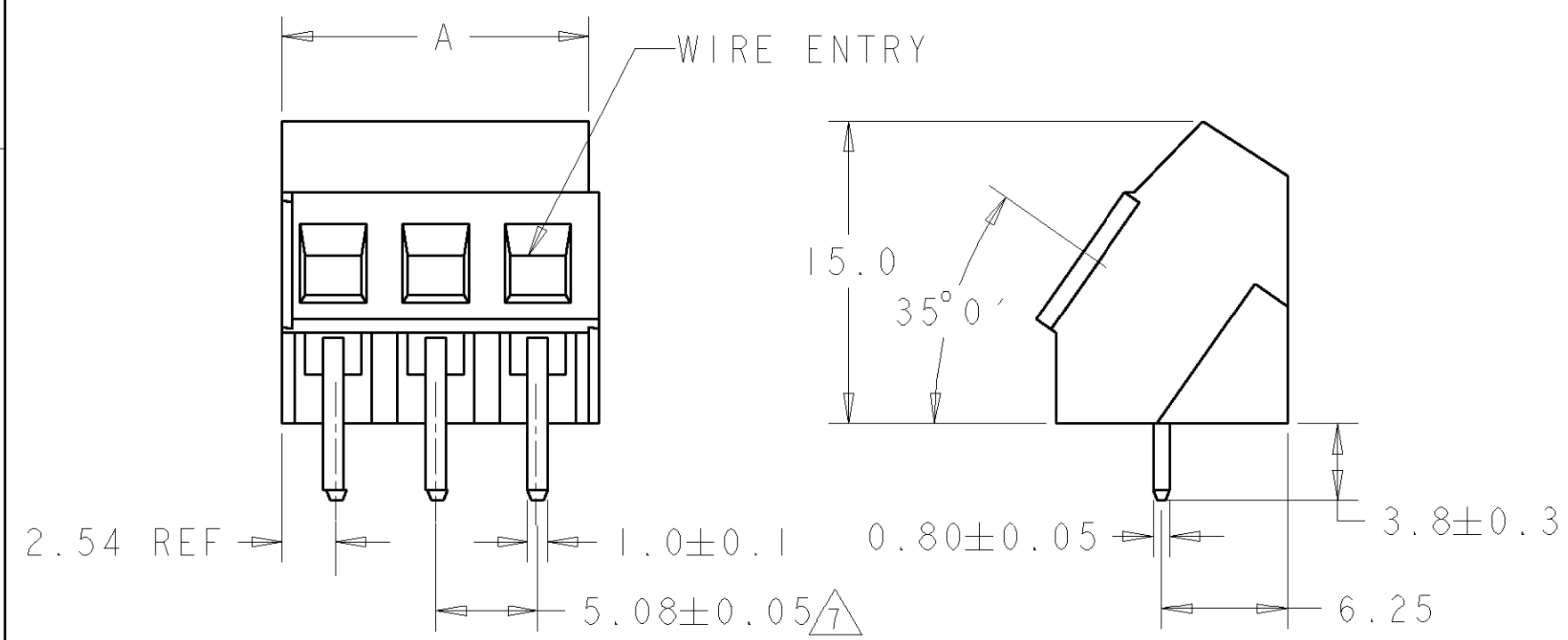


THIS DRAWING IS UNPUBLISHED. RELEASED FOR PUBLICATION 20
 © COPYRIGHT 20 BY TYCO ELECTRONICS CORPORATION. ALL RIGHTS RESERVED.

LOC	DIST	REVISIONS				
P	LTR	DESCRIPTION	DATE	DWN	APVD	
		C	REVISED PER 0G3B-0608-00	15MAR2001	EZ	DB
		D	REVISED PER 0G3B-0119-01	17AUG2001	EZ	DB

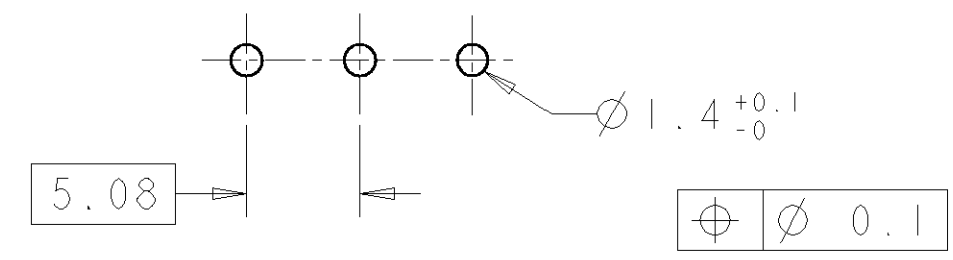


- 3 AS SHOWN



45.72	9	SEE SHEET 2	3+3+3 pos.	9	1-282847-4
66.04	9	SEE SHEET 2	2+2+3+3+3 pos.	13	1-282847-3
60.96			3+3+3+3 pos.	12	1-282847-2
55.88			3+3+3+2 pos.	11	1-282847-1
50.80			3+3+2+2 pos.	10	1-282847-0
45.72			3+3+3 pos.	9	282847-9
40.64			3+3+2 pos.	8	282847-8
35.56			3+2+2 pos.	7	282847-7
30.48			3+3 pos.	6	282847-6
25.40			3+2 pos.	5	282847-5
20.32			2+2 pos.	4	282847-4
15.24				3	282847-3
10.16				2	282847-2
DIM. A		MARKING 8	COMPOSITION	N° POS.	PART NUMBER

RECOMMENDED PC BOARD LAYOUT



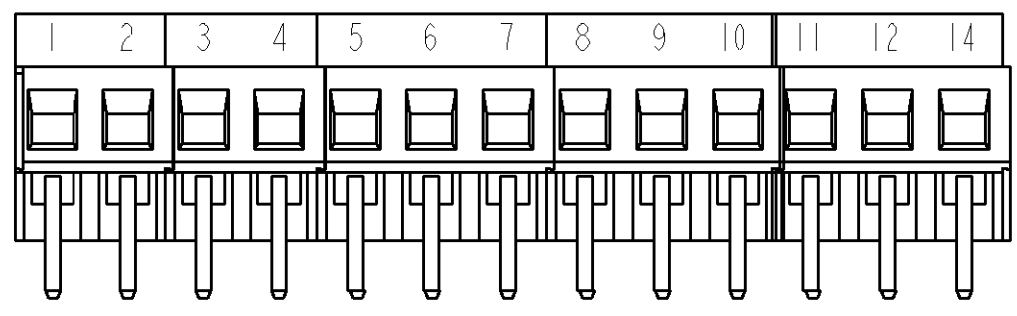
THIS DRAWING IS A CONTROLLED DOCUMENT FOR TYCO ELECTRONICS CORPORATION. IT IS SUBJECT TO CHANGE AND THE CONTROLLING ENGINEERING ORGANIZATION SHOULD BE CONTACTED FOR THE LATEST REVISION.

DIMENSIONS:	TOLERANCES UNLESS OTHERWISE SPECIFIED:	DWN	15MAR2001	BUCHANAN Tyco Electronics Harrisburg, PA 17105-3608
mm	0 PLC ±	CHK	15MAR2001	
	1 PLC ±.3	APVD	15MAR2001	
	2 PLC ±.25	PRODUCT SPEC		
	3 PLC ±	APPLICATION SPEC		NAME
	4 PLC ±	WEIGHT		TERMINAL BLOCK, PCB MOUNT ANGLED ENTRY WIRE, STACKING W/ INTERLOCK, 5.08mm, PITCH
	ANGLES ±			SIZE
MATERIAL	FINISH			CAGE CODE
				DRAWING NO
				RESTRICTED TO
				A3 00779 C=282847
				CUSTOMER DRAWING
				SCALE 3:1 SHEET 1 OF 2 REV D

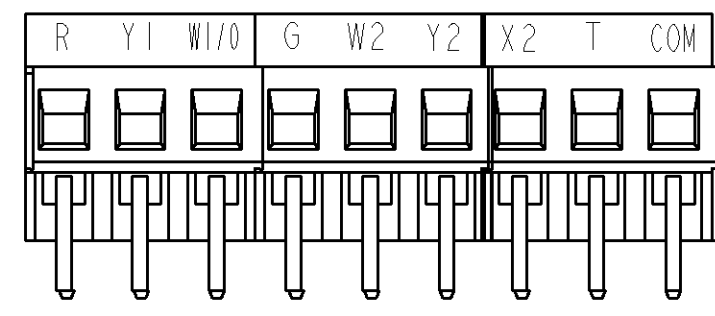
THIS DRAWING IS UNPUBLISHED. RELEASED FOR PUBLICATION 20
 © COPYRIGHT 20 BY TYCO ELECTRONICS CORPORATION. ALL RIGHTS RESERVED.

LOC	DIST	REVISIONS			
P	LTR	DESCRIPTION	DATE	DWN	APVD
		SEE SHEET 1	-	-	-

- 1 MATERIALS AND FINISH
HOUSING: PA 6-6, UL 94-V0, COLOR GREEN.
CLAMP: BRASS, NICKEL PLATED.
TERMINAL: BRASS, TIN PLATED.
CLAMPING SCREW: M3, BRASS, NICKEL PLATED.
- 2 SUITABLE FOR 1,6-2,4mm PCB THICKNESS.
- 3 END-TO-END STACKABLE W/INTERLOCK, WITHOUT LOSS OF CENTERLINE SPACING.
- 4 WIRE SIZE RANGE
SOLID WIRE: 0,03-2,5mm² (13AWG)
STRANDED WIRE: 0,03-1,5mm² (15AWG)
- 5 RECOGNIZED UNDER THE COMPONENT PROGRAM OF UNDERWRITERS LABORATORIES INC., FILE N° E60677.
- 6 IMQ CERTIFICATE WITH SURVEILLANCE IN CONFORMITY WITH IEC 998-1/998-2-1.
- 7 NOT CUMULATIVE TOLERANCE.
- 8 P/NS OBTAINED BY GLUING AND ASSEMBLYING TOGETHER LISTED CONNECTORS.
- 9 INK MARKING, BLACK COLOR



P/N 1-282847-3 AS SHOWN



P/N 1-282847-4 AS SHOWN

<small>THIS DRAWING IS A CONTROLLED DOCUMENT FOR TYCO ELECTRONICS CORPORATION IT IS SUBJECT TO CHANGE AND THE CONTROLLING ENGINEERING ORGANIZATION SHOULD BE CONTACTED FOR THE LATEST REVISION.</small>		DWN 15MAR2001 E. ZANOLINI CHK 15MAR2001 D. BIEVENOUR APVD 15MAR2001 D. BIEVENOUR	BUCHANAN Tyco Electronics Harrisburg, PA 17105-3608
DIMENSIONS: mm 	TOLERANCES UNLESS OTHERWISE SPECIFIED: 0 PLC ±0.3 1 PLC ±0.2 2 PLC ±0.2 3 PLC ± 4 PLC ± ANGLES ±2	PRODUCT SPEC - APPLICATION SPEC - WEIGHT -	NAME TERMINAL BLOCK, PCB MOUNT ANGLED ENTRY WIRE, STACKING W/ INTERLOCK, 5.08mm, PITCH
MATERIAL -	FINISH -	SIZE A3 CAGE CODE 00779 DRAWING NO C-282847	RESTRICTED TO -
CUSTOMER DRAWING		SCALE 3:1	SHEET 2 OF 2 REV D